

DRAWING INDEX

- EC-01 DRAWING INDEX, GENERAL NOTES, POWER OUTLET LEGEND, VICINITY PLAN, ABBREVIATION; MISCELLANEOUS DETAILS
- EC-02 FIRE DETECTION AND ALARM SYSTEM SCHEMATIC DIAGRAM
- EC-03 BUILDING B BASEMENT FIRE DETECTION AND ALARM SYSTEM LAYOUT
- EC-04 BUILDING A GROUND FLOOR FIRE DETECTION AND ALARM SYSTEM LAYOUT
BUILDING B MEZZANINE FIRE DETECTION AND ALARM SYSTEM LAYOUT
- EC-05 BUILDING A SECOND FLOOR FIRE DETECTION AND ALARM SYSTEM LAYOUT
BUILDING B GROUND FLOOR FIRE DETECTION AND ALARM SYSTEM LAYOUT
- EC-06 BUILDING A THIRD FLOOR FIRE DETECTION AND ALARM SYSTEM LAYOUT
BUILDING B SECOND FLOOR FIRE DETECTION AND ALARM SYSTEM LAYOUT
- EC-07 BUILDING A FOURTH FLOOR FIRE DETECTION AND ALARM SYSTEM LAYOUT
BUILDING B THIRD FLOOR FIRE DETECTION AND ALARM SYSTEM LAYOUT
- EC-08 BUILDING A FIFTH FLOOR FIRE DETECTION AND ALARM SYSTEM LAYOUT
BUILDING B FOURTH FLOOR FIRE DETECTION AND ALARM SYSTEM LAYOUT
- EC-09 BUILDING A SIXTH FLOOR FIRE DETECTION AND ALARM SYSTEM LAYOUT
BUILDING B FIFTH FLOOR FIRE DETECTION AND ALARM SYSTEM LAYOUT
- EC-10 BUILDING A SEVENTH FLOOR FIRE DETECTION AND ALARM SYSTEM LAYOUT
BUILDING B SIXTH FLOOR FIRE DETECTION AND ALARM SYSTEM LAYOUT

GENERAL NOTES

1. ALL WORKS HEREIN SHALL CONFORM TO THE PROVISION OF THE LATEST EDITION OF THE PHILIPPINE ELECTRICAL CODE, THE NATIONAL FIRE PROTECTION ASSOCIATION, THE RULES AND REGULATIONS OF TARLAC CITY AND THE UTILITY COMPANIES SERVING THE SITE.
2. ALL WORKS HEREIN INCLUDED SHALL BE EXECUTED UNDER THE DIRECT SUPERVISION OF A FULL TIME LICENSED ELECTRONICS AND COMMUNICATIONS ENGINEER (ECE).
3. ALL WORKS SHALL BE NEATLY PLACED, SECURELY FASTENED AND PROPERLY FINISHED.
6. ALL MATERIALS TO BE USED SHALL BE NEW AND OF THE APPROVED TYPE FOR THE LOCATION AND PURPOSE FOR WHICH THEY ARE USED.
7. COMMUNICATIONS AND DATA WIRING SHALL BE SEPARATED FROM ANY OTHER BUILDING OR POWER WIRING, TO PREVENT ELECTROMAGNETIC INTERFERENCE (EMI).
8. THE POSITION OF ALL ELECTRONICS EQUIPMENT AS SHOWN IN THE DRAWINGS ARE APPROXIMATE ONLY. THE EXACT POSITIONS SHALL BE DETERMINED ON SITE.
9. ALL MDF'S AND IDF'S SHALL BE CONSTRUCTED IN ACCORDANCE WITH THE LATEST EDITION PF PHILIPPINE ELECTRICAL/ELECTRONICS, EIA AND BICSI CODE. THEY SHALL BE PAINTED WITH A COAT OF ANTI-RUST PAINT AND TWO COATS OF SEMI-GLASS TEAK PAINT OF BEST QUALITY TO THE APPROVAL OF THE CONSULTANT.
10. MOUNTING HEIGHTS OF DEVICES (RJ-45 JACKS) SHALL BE AS APPROVED BY THE ARCHITECT OR AS FOLLOWS:
TELECOM/DATA OUTLET – 300mm ABOVE FINISHED FLOOR TO CENTER OF DEVICE
– 150mm ABOVE WORKING COUNTER TO CENTER OF DEVICE
11. METHOD OF WIRING SHALL BE AS FOLLOWS: UNLESS OTHERWISE SPECIFIED IN DRAWING:
 - 11.1 EMBEDDED IN CONCRETE = USE PVC SCH.40 CONDUIT
 - 11.2 EXPOSED AND CEILING CONCEALED NOT EXPOSED TO PHYSICAL DAMAGE = USE EMT
 - 11.3 EXPOSED AND CEILING CONCEALED EXPOSED TO PHYSICAL DAMAGE = USE IMC
12. WAP OUTLETS SHOULD BE INSTALLED 500mm BELOW CEILING SLAB. IN CASE PRESENCE OF FALSE CEILINGS, WAP OUTLETS SHOULD BE INSTALLED ABOVE FALSE CEILING
13. CONTRACTOR SHALL VERIFY AT SITE THE LOCATIONS OF ALL SOURCES AND/OR TAPPING POINTS FOR TELEPHONE AND CATV SYSTEMS PRIOR TO ROUGHING-IN.
14. ALL ITEMS OF MATERIAL NOT FURNISHED BY REQUISITION AND REQUIRED TO COMPLETE THE INSTALLATION IN A GOOD, WORKMANLIKE MANNER SHALL BE PROVIDED BY THE IT CABLING CONTRACTOR.
15. THE PLANS AS DRAWN ARE BASED UPON THE ARCHITECTURAL PLANS AND THE DETAILS AND SHOWN CONDITIONS AS ACCURATELY AS IT IS POSSIBLE TO INDICATE THEM IN SCALE. THE PLANS ARE DIAGRAMMATICAL AND DO NOT NECESSARILY SHOW ALL FITTINGS NECESSARY TO FIT TO THE BUILDING CONDITIONS. THE LOCATIONS OF OUTLETS, APPARATUS AND APPLIANCE SHOWN ON THE PLANS ARE APPROXIMATE. THE CONTRACTOR SHALL BE HELD RESPONSIBLE FOR THEIR PROPER LOCATION IN ORDER TO MAKE THEM FIT WITH THE ARCHITECTURAL DETAILS AND INSTRUCTIONS FROM THE ENGINEER'S REPRESENTATIVE AT THE SITE.
16. THE SPECIALTY SUB-CONTRACTOR SHALL BE RESPONSIBLE FOR THE EQUIPOTENTIAL GROUNDING OF ALL METAL PARTS COMPLETED BY THE OTHER CONTRACTORS TO THE NEAREST BONDING IN ELECTRICAL PANEL
17. UPON COMPLETION OF IT CABLING WORKS, TESTS SYSTEM FUNCTIONALITY SHALL BE PERFORMED BY THE CONTRACTOR INCLUSIVE OF THE INSTALLATION TO BE REPORTED IN DETAILS AND IN FORMS APPROVED BY THE OWNERS REPRESENTATIVE.

1 LEGENDS AND SYMBOLS

EC-01 SCALE: NTS

FIRE ALARM AND PA/BGM	
SD	SMOKE DETECTOR
HD	HEAT DETECTOR
GLD	GAS LEAK DETECTOR
FS-TS	FLOW SWITCH/TAMPER SWITCH
ANN	ANNUNCIATOR
M	MONITOR MODULE
IM	ADDRESSABLE INPUT MODULE
OM	ADDRESSABLE OUTPUT MODULE
IL	INDICATOR LIGHT
EOL	END-OF-LINE RESISTOR
SL	STROBE LIGHT WITH SOUNDER
F	MANUAL PULL STATION
T	FIREMAN'S TELEPHONE JACK
FACP	FIRE ALARM CONTROL PANEL
FATC	FIRE ALARM TERMINAL CABINET

2 ABBREVIATION

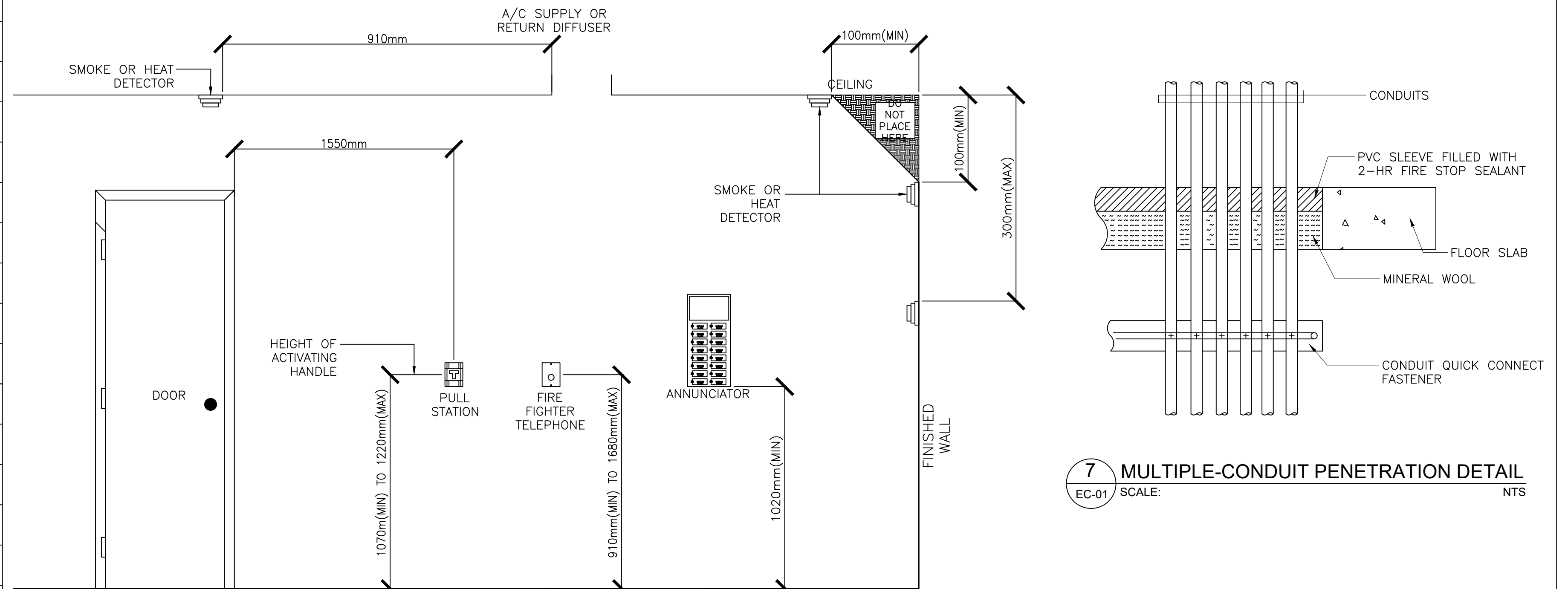
EC-01 SCALE: NTS

LAYERNAME	INDEX
C	CONDUIT
CAT	CATEGORY
EMT	ELECTROMETALLIC TUBING
EVAC	EMERGENCY VOICE ALARM COMMUNICATION
FA	FIRE ALARM
FR	FIRE RATED
FCC	FIRE COMMAND CENTER
FACP	FIRE ALARM CONTROL PANEL
FATB	FIRE ALARM TERMINAL BOARD
FDAS	FIRE ALARM AND DETECTION SYSTEM
IMC	INTERMEDIATE METALLIC CONDUIT
PVC	POLYVINYL CHLORIDE
RD	RISER DOWN
RU	RISER UP
RSC	RIGID STEEL CONDUIT
SMS	SECURITY MANAGEMENT SYSTEM
THHN	THERMOPLASTIC HEAT RESISTANT (90°C) WITH NYLON JACKET
THW	THERMOPLASTIC HEAT AND MOISTURE RESISTANT
TYP	TYPICAL
UPS	UNINTERRUPTIBLE POWER SUPPLY
WP	WEATHER PROOF

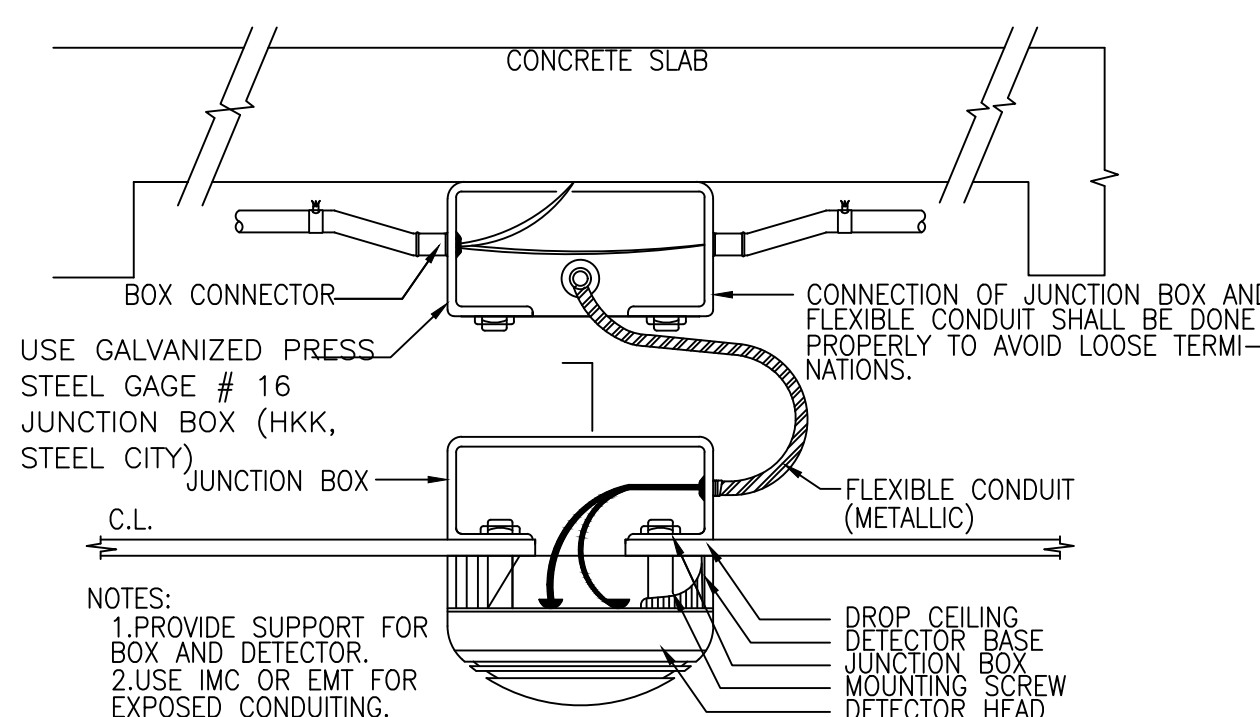


3 VICINITY PLAN

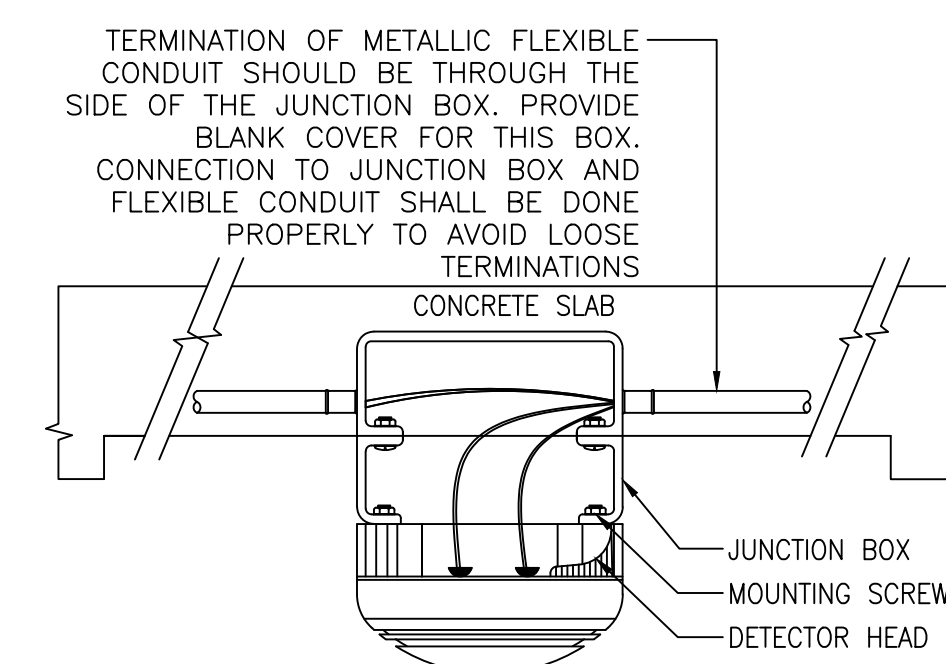
EC-01 SCALE: NTS



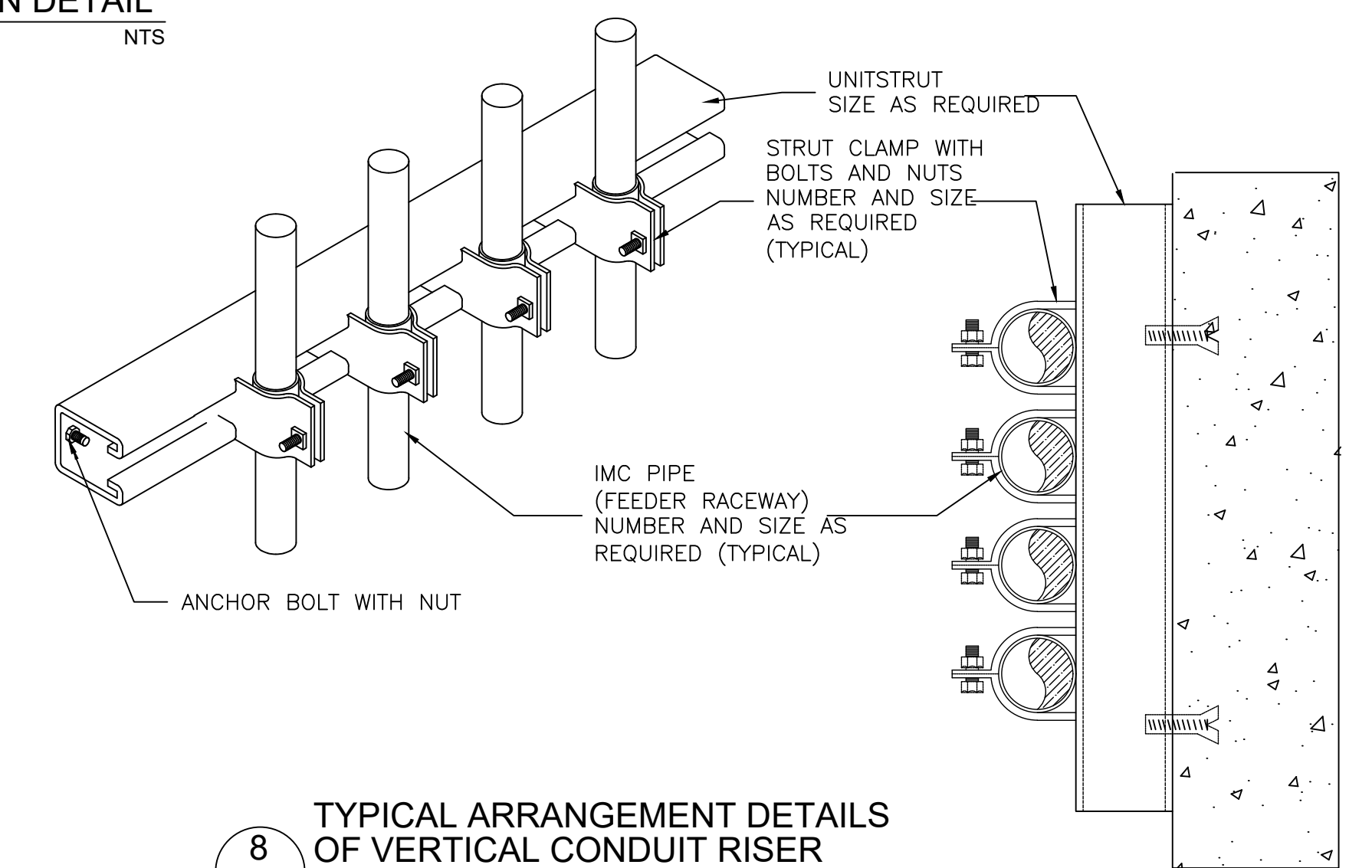
4 FIRE ALARM DEVICES INSTALLATION DETAIL
EC-01 SCALE: NTS



5 SMOKE DETECTOR IN DROP CEILING WITH EXPOSED CONDUIT INSTALLATION DETAIL
EC-01 SCALE: NTS



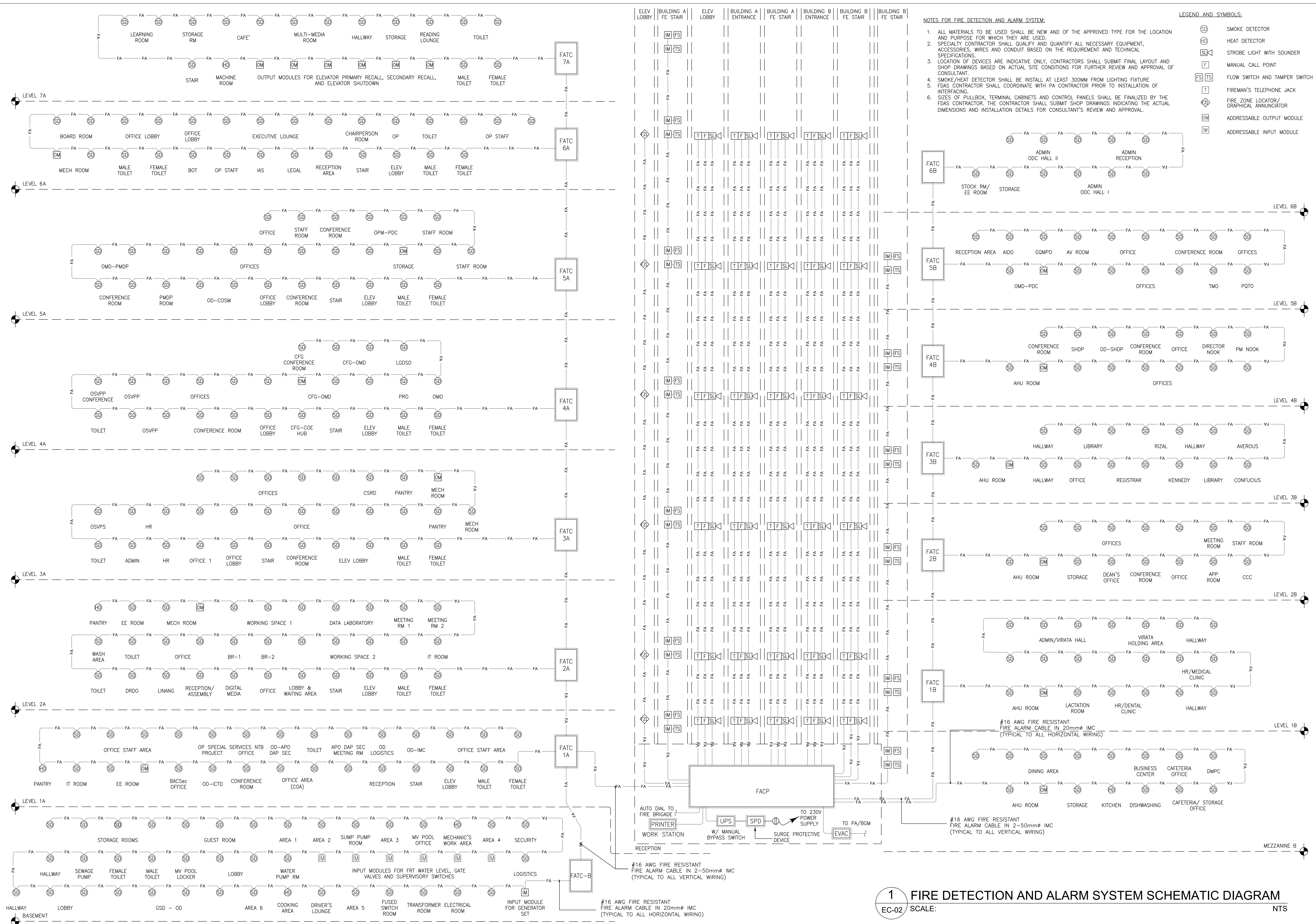
6 SMOKE DETECTOR IN CONCRETE WITH EMBEDDED CONDUIT INSTALLATION DETAIL
EC-01 SCALE: NTS



7 MULTIPLE-CONDUIT PENETRATION DETAIL
EC-01 SCALE: NTS

8 TYPICAL ARRANGEMENT DETAILS OF VERTICAL CONDUIT RISER
EC-01 SCALE: NTS

CONSULTANT	OWNER	ARCHITECT	ENGINEER	DESIGNED BY:	PROJECT TITLE	REVIEWED AND CERTIFIED CORRECT BY:	RECOMMENDING APPROVAL:	APPROVED BY:	REVISIONS	SHEET CONTENTS:	SHEET No.	
CORE POWERLINK SYSTEM INCORPORATED	Development Academy of the Philippines		MANUEL V. PANIS PROFESSIONAL ELECTRICAL ENGINEER	DATE: _____ CADD BY: _____ DATE: _____ CHECKED BY: _____ APPROVED BY: _____ DATE: 01-05-2026 PLACE: ANTIPOLO JOB NO: _____	ENGINEERING STUDY OF BEST NEW ALTERNATIVE SOLUTIONS/SCHEMES ON THE EXISTING FIRE PROTECTION SYSTEM OF DAP BUILDING IN PASIG AND PREPARATION OF THE TECHNICAL ENGINEERING STUDY REPORTS (INITIAL & FINAL), INCEPTION REPORT, FIRE SAFETY COMPLIANCE REPORT AND DETAILED ENGINEERING PLANS & SUPPLEMENTAL/TECHNICAL DOCUMENTS INCLUDING BID TENDER DOCUMENTS ON MANAGEMENT APPROVED OR CHOSEN SCHEME/OPTIONS.	RALPH MICHAEL C. LEAL ENGINEER II GENERAL SERVICES DIVISION	VENER V. MADERAJE ACTING DIVISION CHIEF IV, GENERAL SERVICES DIVISION	NELSON L. CASALAN ACTING DEPARTMENT MANAGER III, ADMINISTRATIVE DEPARTMENT	ANATALIA S.D. BARAWIDAN ACTING SENIOR VICE PRESIDENT, SERVICES GROUP	DATE: _____ TITLE: _____ DATE: _____ TITLE: _____ DATE: _____ TITLE: _____	DRAWING INDEX, GENERAL NOTES, POWER OUTLET LEGEND, VICINITY PLAN, ABBREVIATION, MISCELLANEOUS DETAILS	EC-01 1 10



NOTES FOR FIRE DETECTION AND ALARM SYSTEM:

1. ALL MATERIALS TO BE USED SHALL BE NEW AND OF THE APPROVED TYPE FOR THE LOCATION AND PURPOSE FOR WHICH THEY ARE USED.
2. SPECIALTY CONTRACTOR SHALL QUALIFY AND QUANTIFY ALL NECESSARY EQUIPMENT, ACCESSORIES, WIRES AND CONDUIT BASED ON THE REQUIREMENT AND TECHNICAL SPECIFICATIONS.
3. LOCATION OF DEVICES ARE INDICATIVE ONLY. CONTRACTORS SHALL SUBMIT FINAL LAYOUT AND SHOP DRAWINGS BASED ON ACTUAL SITE CONDITIONS FOR FURTHER REVIEW AND APPROVAL OF CONSULTANT.
4. SMOKE/HEAT DETECTOR SHALL BE INSTALL AT LEAST 300MM FROM LIGHTING FIXTURE
5. FDAS CONTRACTOR SHALL COORDINATE WITH FA CONTRACTOR PRIOR TO INSTALLATION OF INTERFACING.
6. SIZES OF PULLBOX, TERMINAL CABINETS AND CONTROL PANELS SHALL BE FINALIZED BY THE FDAS CONTRACTOR. THE CONTRACTOR SHALL SUBMIT SHOP DRAWINGS INDICATING THE ACTUAL DIMENSIONS AND INSTALLATION DETAILS FOR CONSULTANT'S REVIEW AND APPROVAL.

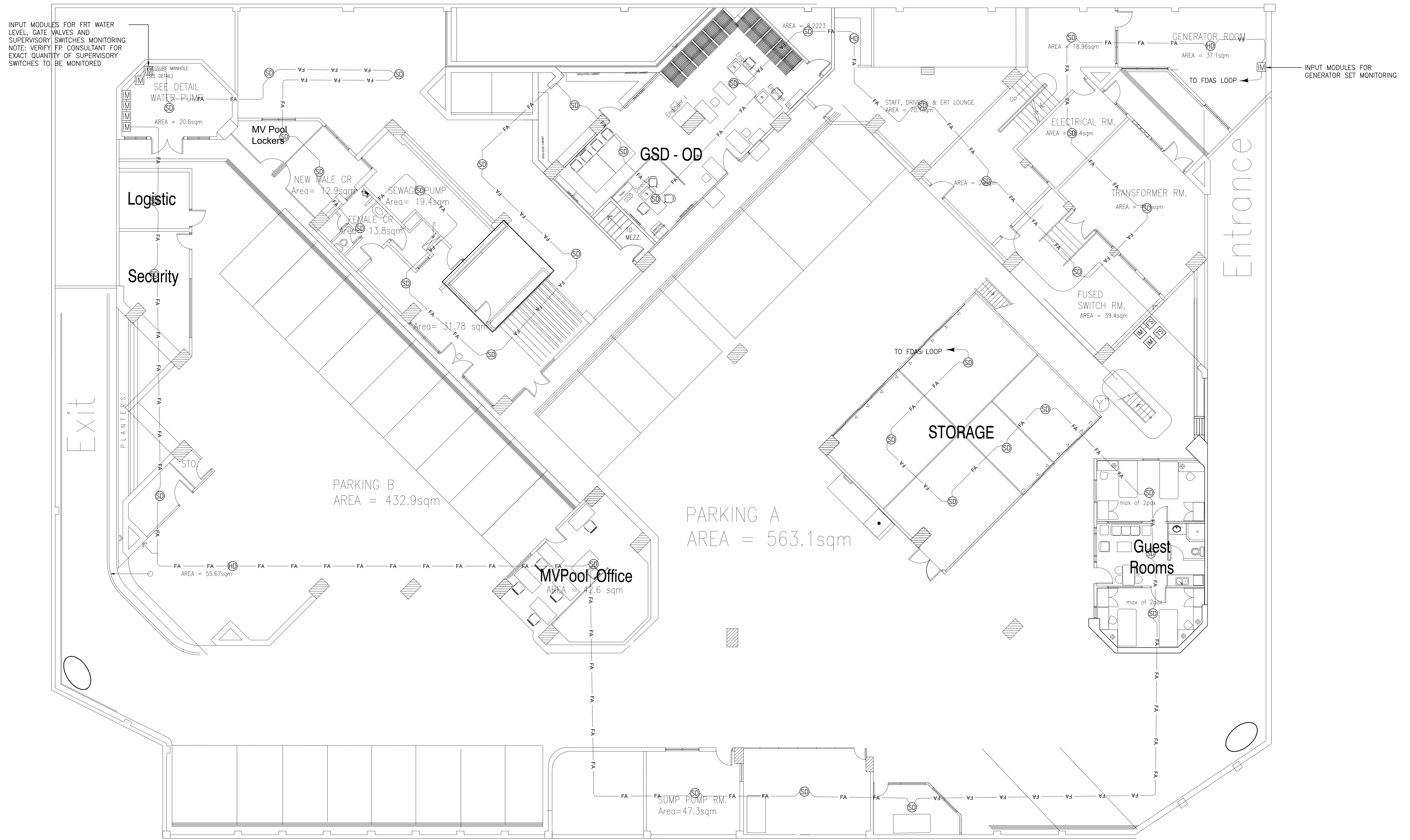
LEGEND AND SYMBOLS:

- SD SMOKE DETECTOR
- HD HEAT DETECTOR
- SL STROBE LIGHT WITH SOUNDER
- F MANUAL CALL POINT
- FS TS FLOW SWITCH AND TAMPER SWITCH
- T FIREMAN'S TELEPHONE JACK
- FL FIRE ZONE LOCATOR/ GRAPHICAL ANNUNCIATOR
- OM ADDRESSABLE OUTPUT MODULE
- IM ADDRESSABLE INPUT MODULE

1 FIRE DETECTION AND ALARM SYSTEM SCHEMATIC DIAGRAM
 EC-02 SCALE: NTS

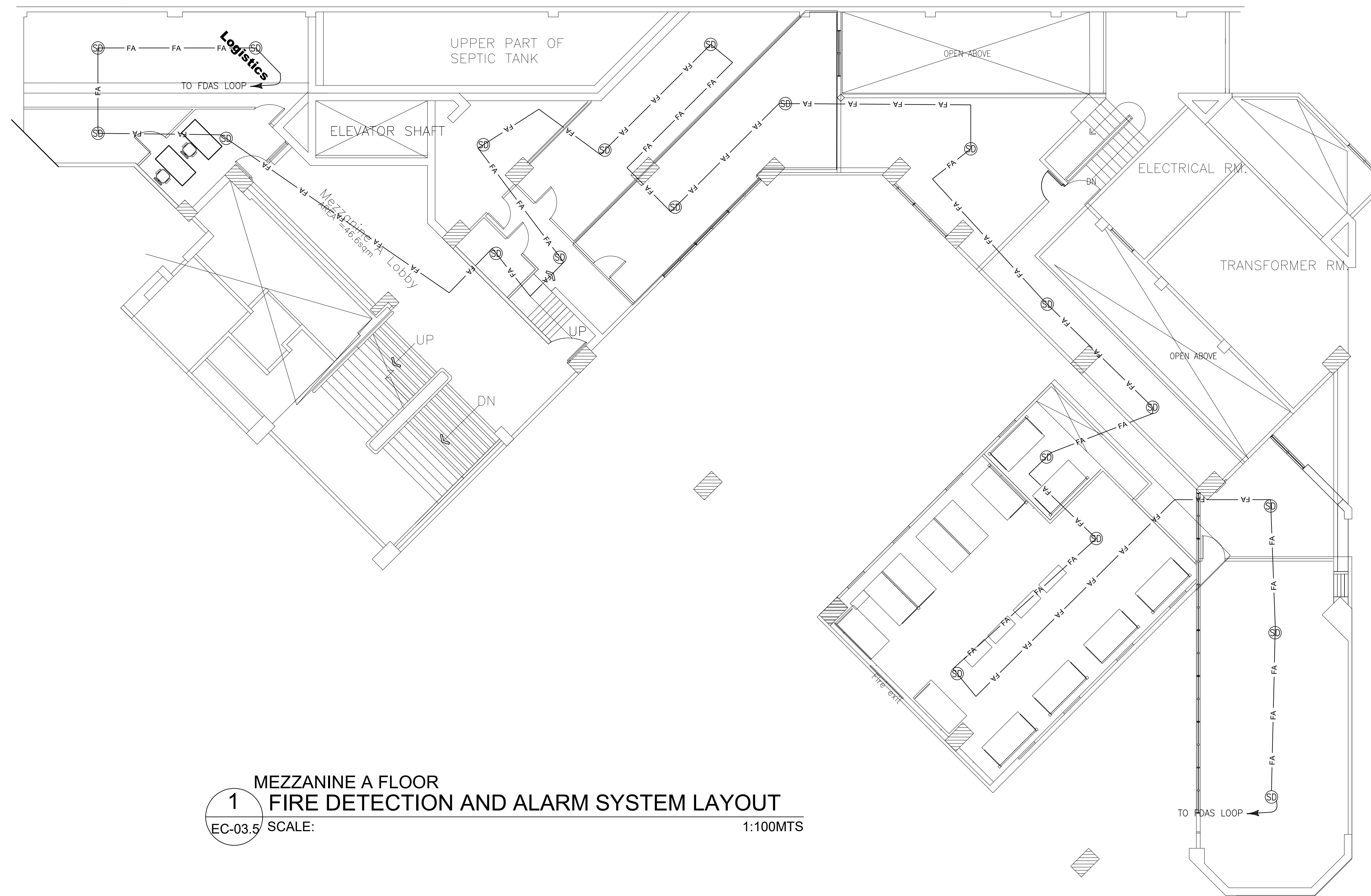
CONSULTANT	OWNER	ARCHITECT	ENGINEER	DESIGNED BY:	PROJECT TITLE	REVIEWED AND CERTIFIED CORRECT BY:	RECOMMENDING APPROVAL:	APPROVED BY:	REVISIONS	SHEET CONTENTS:	SHEET No.
CORE POWERLINK SYSTEM INCORPORATED	Development Academy of the Philippines		MANUEL V. PANIS PROFESSIONAL ELECTRICAL ENGINEER	DATE: _____ CADD BY: _____ DATE: _____ CHECKED BY: _____ APPROVED BY: _____ JOB NO: _____	ENGINEERING STUDY OF BEST NEW ALTERNATIVE SOLUTIONS/SCHEMES ON THE EXISTING FIRE PROTECTION SYSTEM OF DAP BUILDING IN PASIG AND PREPARATION OF THE TECHNICAL ENGINEERING STUDY REPORTS (INITIAL & FINAL), INCEPTION REPORT, FIRE SAFETY COMPLIANCE REPORT AND DETAILED ENGINEERING PLANS & SUPPLEMENTAL/TECHNICAL DOCUMENTS INCLUDING BID TENDER DOCUMENTS ON MANAGEMENT APPROVED OR CHOSEN SCHEMEOPTIONS.	RALPH MICHAEL C. LEAL ENGINEER II GENERAL SERVICES DIVISION	VENER V. MADERAJE ACTING DIVISION CHIEF IV, GENERAL SERVICES DIVISION	NELSON L. CASALAN ACTING DEPARTMENT MANAGER III, ADMINISTRATIVE DEPARTMENT	ANATALIA SD. BARAWIDAN ACTING SENIOR VICE PRESIDENT, SERVICES GROUP	FIRE DETECTION AND ALARM SYSTEM SCHEMATIC DIAGRAM	EC-02
<p>Section 19 (d) Drawings and specifications duly signed, stamped or sealed as instruments of service are the property and documents of the Landscape Architect or author of said documents shall duplicate or make copies of said documents for use in the repetition of work for other projects or buildings, whether executed partly or in whole.</p>											
<p>SAV MIGUEL AVE. ORTIGAS CENTER, PASIG CITY</p>											

Basement



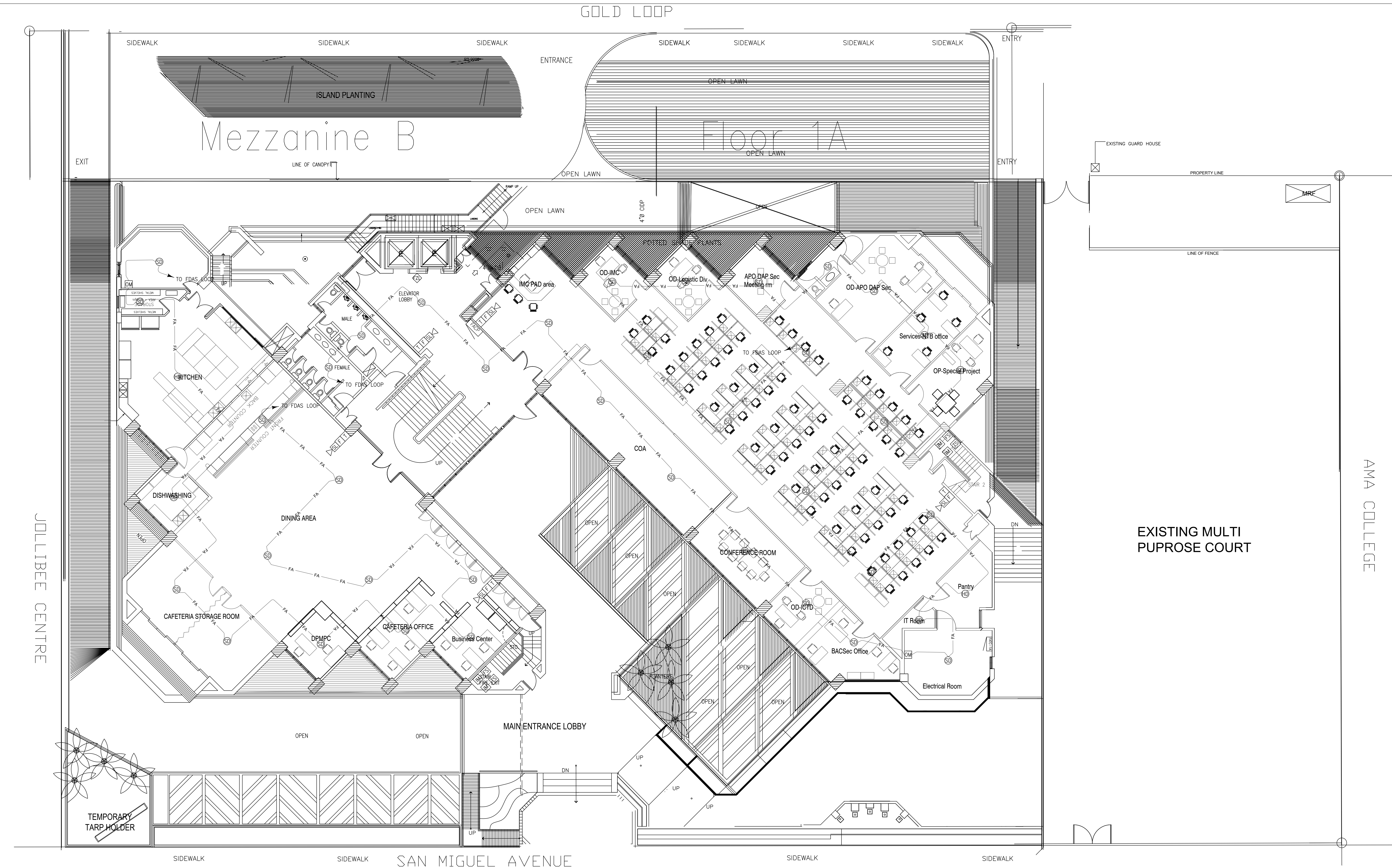
1 BLDG. A BASEMENT FLOOR/ BLDG. B BASEMENT FLOOR
FIRE DETECTION AND ALARM SYSTEM LAYOUT
 EC-03 / SCALE: 1:100MTS

CONSULTANT 	OWNER 	ARCHITECT P R C No. _____ TIN No. _____ PLACE: _____	ENGINEER MANUEL V. PANIS PROFESSIONAL ELECTRICAL ENGINEER PTR No. 10060708 TIN No. 132-466-232 DATE: 01-05-2026 PLACE: ANTIPOLO	DESIGNED BY: _____ DATE: _____ CADD BY: _____ DATE: _____ CHECKED BY: _____ APPROVED BY: _____ DATE: _____ JOB NO.: _____	PROJECT TITLE ENGINEERING STUDY OF BEST NEW ALTERNATIVE SOLUTIONS / SCHEMES ON THE EXISTING FIRE PROTECTION SYSTEM OF DAP BUILDING IN PASIG AND PREPARATION OF THE TECHNICAL ENGINEERING STUDY REPORTS (INITIAL & FINAL), INCEPTION REPORT, FIRE SAFETY COMPLIANCE REPORT AND DETAILED ENGINEERING PLANS & SUPPLEMENTAL/TECHNICAL DOCUMENTS INCLUDING BID TENDER DOCUMENTS ON MANAGEMENT APPROVED OR CHOSEN SCHEME/OPTIONS. SAN MIGUEL AVE. ORTIGAS CENTER, PASIG CITY	REVIEWED AND CERTIFIED CORRECT BY: RALPH MICHAEL C. LEAL ENGINEER II, GENERAL SERVICES DIVISION	RECOMMENDING APPROVAL: VENER V. MADERAJE ACTING DIVISION CHIEF IV, GENERAL SERVICES DIVISION	APPROVED BY: NELSON L. CASALAN ACTING DEPARTMENT MANAGER III, ADMINISTRATIVE DEPARTMENT	APPROVED BY: ANATALIA SD. BARAWIDAN ACTING SENIOR VICE PRESIDENT, SERVICES GROUP	REVISIONS <table border="1"> <thead> <tr> <th>DATE</th> <th>TITLE</th> </tr> </thead> <tbody> <tr><td> </td><td> </td></tr> <tr><td> </td><td> </td></tr> <tr><td> </td><td> </td></tr> <tr><td> </td><td> </td></tr> <tr><td> </td><td> </td></tr> <tr><td> </td><td> </td></tr> <tr><td> </td><td> </td></tr> <tr><td> </td><td> </td></tr> <tr><td> </td><td> </td></tr> <tr><td> </td><td> </td></tr> </tbody> </table>	DATE	TITLE																					SHEET CONTENTS: BUILDING A & B BASEMENT FIRE DETECTION AND ALARM SYSTEM LAYOUT	SHEET No. EC-03
											DATE	TITLE																						
3	10																																	



MEZZANINE A FLOOR
1 FIRE DETECTION AND ALARM SYSTEM LAYOUT
 EC-03.5 SCALE: 1:100MTS

	OWNER	ARCHITECT	ENGINEER	DESIGNED BY:	PROJECT TITLE	REVIEWED AND CERTIFIED CORRECT BY:	RECOMMENDING APPROVAL:	APPROVED BY:	REVISIONS	SHEET CONTENTS:	SHEET No.
				MANUEL V. PANIS PROFESSIONAL ELECTRICAL ENGINEER	DATE: _____ CAD: BY: _____ DATE: _____ CHECKED BY: _____ APPROVED BY: _____ JOB NO: _____	ENGINEERING STUDY OF BEST NEW ALTERNATIVE SOLUTIONS / SCHEMES ON THE EXISTING FIRE PROTECTION SYSTEM OF DAP BUILDING IN PASIG AND PREPARATION OF THE TECHNICAL ENGINEERING STUDY REPORTS (INITIAL & FINAL), INCEPTION REPORT, FIRE SAFETY COMPLIANCE REPORT AND DETAILED ENGINEERING PLANS & SUPPLEMENTAL/TECHNICAL DOCUMENTS INCLUDING BID TENDER DOCUMENTS ON MANAGEMENT APPROVED OR CHOSEN SCHEME/OPTIONS.	RALPH MICHAEL C. LEAL ENGINEER II, GENERAL SERVICES DIVISION	VENER V. MADERAJE ACTING DIVISION CHIEF IV, GENERAL SERVICES DIVISION	NELSON L. CASALAN ACTING DEPARTMENT MANAGER III, ADMINISTRATIVE DEPARTMENT	ANATALIA SD. BARAWIDAN ACTING SENIOR VICE PRESIDENT, SERVICES GROUP	MEZZANINE A FIRE DETECTION AND ALARM SYSTEM LAYOUT
<small>Section 19 (d) Drawings and specifications duly signed, stamped or sealed as instruments of service are the property and documents of the Landscape Architect, whether the project for which they were made is executed or not. No person without the written consent of the Landscape Architect or author of said documents shall duplicate or make copies of said documents for use in the repetition of and for other projects or buildings, whether executed partly or in whole.</small>	REPUBLIC ACT 9253 P. R. C. No. _____ TIN No. _____ PLACE: _____ DATE: _____	PTR No. 10060708 DATE: 01-05-2026	TIN No. 132-466-232 PLACE: ANTIPOLO	SAN MIGUEL AVE. ORTIGAS CENTER, PASIG CITY							

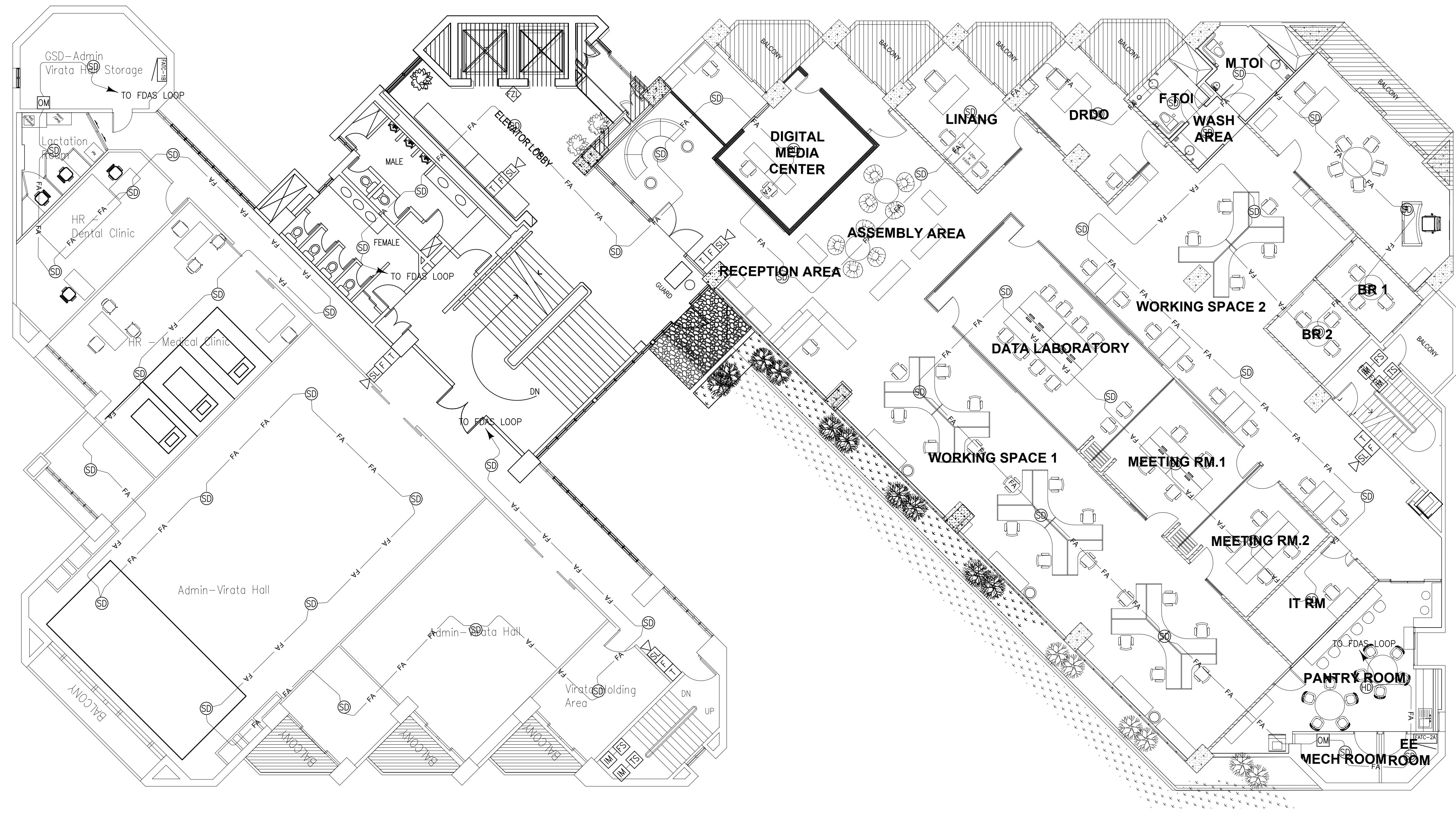


1 BLDG. A GROUND FLOOR/ BLDG. B MEZZANINE FLOOR
FIRE DETECTION AND ALARM SYSTEM LAYOUT
 EC-04 SCALE: 1:100MTS

CONSULTANT 	OWNER 	ARCHITECT P. R. C. No. _____ TIN No. _____ DATE: _____ PLACE: _____	ENGINEER MANUEL V. PANIS PROFESSIONAL ELECTRICAL ENGINEER PTR No. 1006708 TIN No. 132-466-232 DATE: 01-05-2026 PLACE: ANTIPOLO	DESIGNED BY: _____ DATE: _____ CADD BY: _____ DATE: _____ CHECKED BY: _____ APPROVED BY: _____ JOB NO.: _____	PROJECT TITLE ENGINEERING STUDY OF BEST NEW ALTERNATIVE SOLUTIONS / SCHEMES ON THE EXISTING FIRE PROTECTION SYSTEM OF DAP BUILDING IN PASIG AND PREPARATION OF THE TECHNICAL ENGINEERING STUDY REPORTS (INITIAL & FINAL), INCEPTION REPORT, FIRE SAFETY COMPLIANCE REPORT AND DETAILED ENGINEERING PLANS & SUPPLEMENTAL/TECHNICAL DOCUMENTS INCLUDING BID TENDER DOCUMENTS ON MANAGEMENT APPROVED OR CHOSEN SCHEME/OPTIONS. SAN MIGUEL AVE. ORTIGAS CENTER, PASIG CITY	REVIEWED AND CERTIFIED CORRECT BY: RALPH MICHAEL C. LEAL ENGINEER II GENERAL SERVICES DIVISION	RECOMMENDING APPROVAL: VENER V. MADERAJE ACTING DIVISION CHIEF IV, GENERAL SERVICES DIVISION	NELSON L. CASALAN ACTING DEPARTMENT MANAGER III, ADMINISTRATIVE DEPARTMENT	APPROVED BY: ANATALIA S.D. BARAWIDAN ACTING SENIOR VICE PRESIDENT, SERVICES GROUP	REVISIONS <table border="1"> <thead> <tr> <th>DATE</th> <th>TITLE</th> </tr> </thead> <tbody> <tr><td> </td><td> </td></tr> <tr><td> </td><td> </td></tr> <tr><td> </td><td> </td></tr> <tr><td> </td><td> </td></tr> </tbody> </table>	DATE	TITLE									SHEET CONTENTS: BLDG A GROUND FLOOR BLDG B MEZZANINE FIRE DETECTION AND ALARM SYSTEM LAYOUT	SHEET No. EC-04 4 10
											DATE	TITLE										
<small>Section 19 (d) Drawings and specifications duly signed, stamped or sealed as instruments of service are the property and documents of the Landscape Architect, whether the project for which they were made is executed or not. No person without the written consent of the Landscape Architect or author of said documents shall duplicate or make copies of said documents for use in the repetition of work for other projects or buildings, whether executed partly or in whole.</small>																						

Floor 1B

Floor 2A

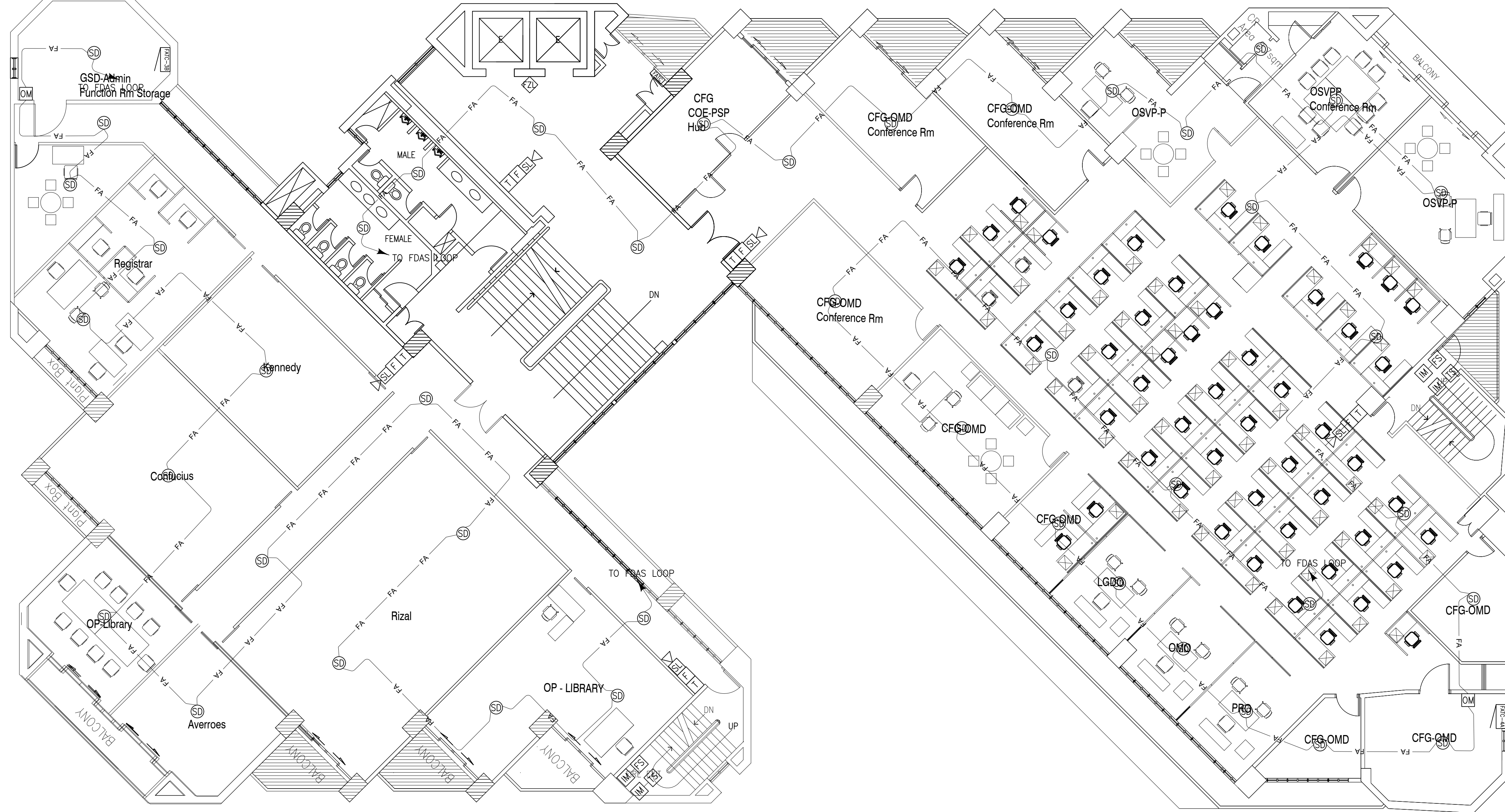


1 BLDG. A SECOND FLOOR/ BLDG. B GROUND FLOOR
FIRE DETECTION AND ALARM SYSTEM LAYOUT
 EC-05 SCALE: 1:100MTS

	OWNER	ARCHITECT	ENGINEER	DESIGNED BY:	PROJECT TITLE	REVIEWED AND CERTIFIED CORRECT BY:	RECOMMENDING APPROVAL:	APPROVED BY:	REVISIONS	SHEET CONTENTS:	SHEET No.
	Development Academy of the Philippines REPUBLIC ACT 9053	P R C No. TIN No. DATE:	MANUEL V. PANIS PROFESSIONAL ELECTRICAL ENGINEER TIN No. 10060708 DATE: 01-05-2026	DATE: CADD BY: DATE: CHECKED BY: APPROVED BY: DATE: PLACE: ANTIPOLO	ENGINEERING STUDY OF BEST NEW ALTERNATIVE SOLUTIONS/SCHEMES ON THE EXISTING FIRE PROTECTION SYSTEM OF DAP BUILDING IN PASIG AND PREPARATION OF THE TECHNICAL ENGINEERING STUDY REPORTS (INITIAL & FINAL), INCEPTION REPORT, FIRE SAFETY COMPLIANCE REPORT AND DETAILED ENGINEERING PLANS & SUPPLEMENTAL/TECHNICAL DOCUMENTS INCLUDING BID TENDER DOCUMENTS ON MANAGEMENT APPROVED OR CHOSEN SCHEME/OPTIONS. SAN MIGUEL AVE. ORTIGAS CENTER, PASIG CITY	RALPH MICHAEL C. LEAL ENGINEER II, GENERAL SERVICES DIVISION	VENER V. MADERAJE ACTING DIVISION CHIEF IV, GENERAL SERVICES DIVISION	NELSON L. CASALAN ACTING DEPARTMENT MANAGER III, ADMINISTRATIVE DEPARTMENT	ANATALIA S.D. BARAWIDAN ACTING SENIOR VICE PRESIDENT, SERVICES GROUP	DATE: _____ TITLE: _____ _____ _____ _____ _____	BLDG A SECOND FLOOR/ BLDG B GROUND FLOOR FIRE DETECTION AND ALARM SYSTEM LAYOUT

Floor 3B

Floor 4A



1 BLDG. A FOURTH FLOOR/ BLDG. B THIRD FLOOR
FIRE DETECTION AND ALARM SYSTEM LAYOUT
 EC-07 SCALE: 1:100MTS

	OWNER	ARCHITECT	ENGINEER	DESIGNED BY:	PROJECT TITLE ENGINEERING STUDY OF BEST NEW ALTERNATIVE SOLUTIONS/SCHEMES ON THE EXISTING FIRE PROTECTION SYSTEM OF DAP BUILDING IN PASIG AND PREPARATION OF THE TECHNICAL ENGINEERING STUDY REPORTS (INITIAL & FINAL), INCEPTION REPORT, FIRE SAFETY COMPLIANCE REPORT AND DETAILED ENGINEERING PLANS & SUPPLEMENTAL/TECHNICAL DOCUMENTS INCLUDING BID TENDER DOCUMENTS ON MANAGEMENT APPROVED OR CHOSEN SCHEME/OPTIONS. SAN MIGUEL AVE. ORTIGAS CENTER, PASIG CITY	REVIEWED AND CERTIFIED CORRECT BY:	RECOMMENDING APPROVAL:	APPROVED BY:	REVISIONS	SHEET CONTENTS: BLDG A FOURTH FLOOR/ BLDG B THIRD FLOOR FIRE DETECTION AND ALARM SYSTEM LAYOUT	SHEET No.
	Development Academy of the Philippines REPUBLIC ACT 9053	P R C No. TIN No. PLACE:	MANUEL V. PANIS PROFESSIONAL ELECTRICAL ENGINEER PTR No. 10066708 TIN No. 132-466-232 DATE: 01-05-2026 PLACE: ANTIPOLO	DATE: CADD BY: CHECKED BY: APPROVED BY: JOB NO.		RALPH MICHAEL C. LEAL ENGINEER II GENERAL SERVICES DIVISION	VENER V. MADERAJE ACTING DIVISION CHIEF IV, GENERAL SERVICES DIVISION	NELSON L. CASALAN ACTING DEPARTMENT MANAGER III, ADMINISTRATIVE DEPARTMENT	ANATALIA S.D. BARAWIDAN ACTING SENIOR VICE PRESIDENT, SERVICES GROUP		DATE TITLE

Floor 4B

Floor 5A

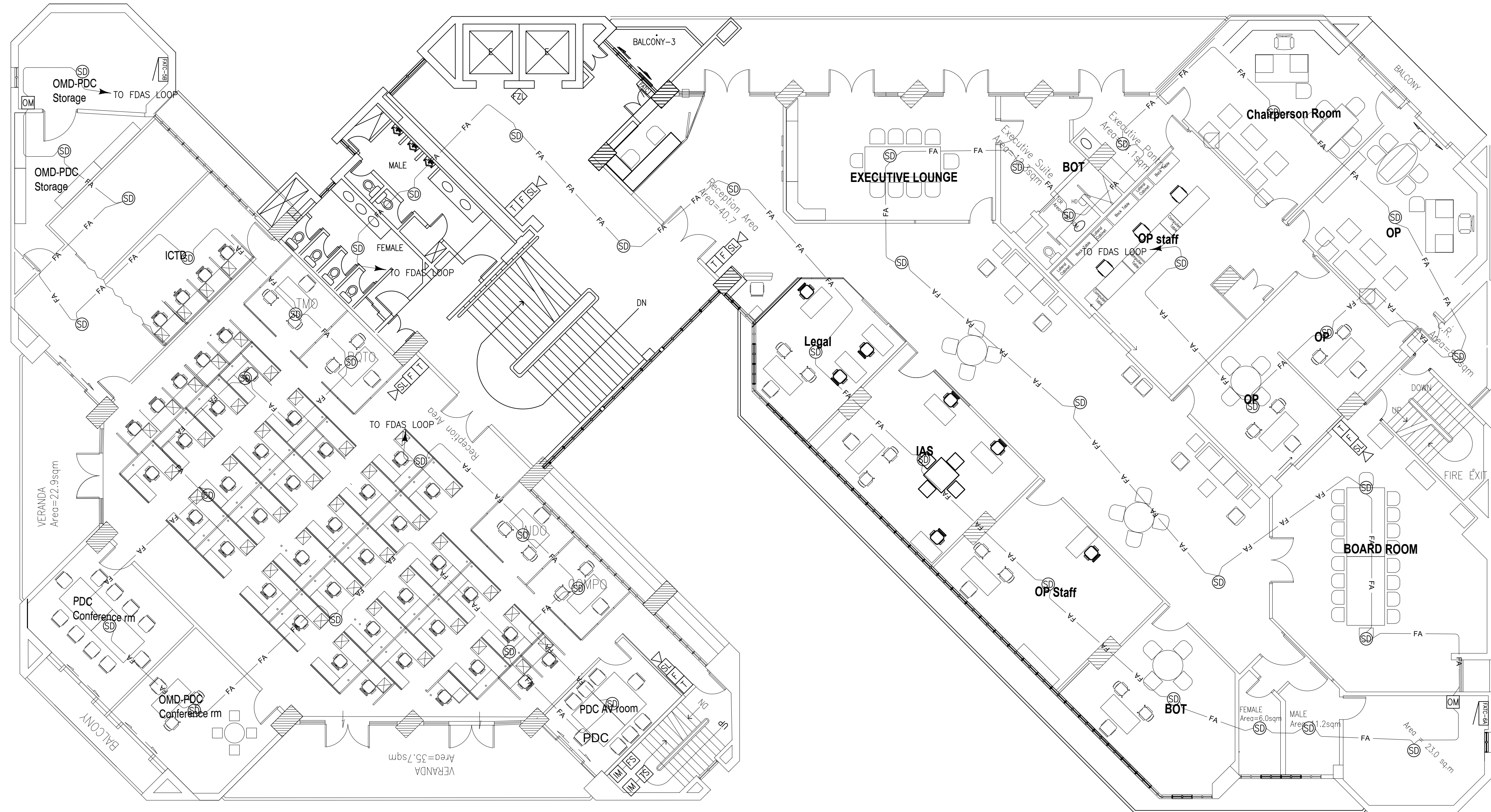


1 BLDG. A FIFTH FLOOR/ BLDG. B FOURTH FLOOR
 FIRE DETECTION AND ALARM SYSTEM LAYOUT
 EC-08 SCALE: 1:100MTS

	OWNER	ARCHITECT	ENGINEER	DESIGNED BY:	PROJECT TITLE	REVIEWED AND CERTIFIED CORRECT BY:	RECOMMENDING APPROVAL:	APPROVED BY:	REVISIONS	SHEET CONTENTS:	SHEET No.
	Development Academy of the Philippines REPUBLIC ACT 9053	P R C No. TIN No. PLACE:	MANUEL V. PANIS PROFESSIONAL ELECTRICAL ENGINEER PPR No. 10066708 TIN No. 132-466-222 DATE: 01-05-2026 PLACE: ANTIPOLO	DATE: CADD BY: DATE: CHECKED BY: APPROVED BY: JOB NO:	ENGINEERING STUDY OF BEST NEW ALTERNATIVE SOLUTIONS (SCHEMES ON THE EXISTING FIRE PROTECTION SYSTEM OF DAP BUILDING IN PASIG AND PREPARATION OF THE TECHNICAL ENGINEERING STUDY REPORTS (INITIAL & FINAL), INCEPTION REPORT, FIRE SAFETY COMPLIANCE REPORT AND DETAILED ENGINEERING PLANS & SUPPLEMENTAL TECHNICAL DOCUMENTS INCLUDING BID TENDER DOCUMENTS ON MANAGEMENT APPROVED OR CHOSEN SCHEME/OPTIONS. SAN MIGUEL AVE. ORTIGAS CENTER, PASIG CITY	RALPH MICHAEL C. LEAL ENGINEER II GENERAL SERVICES DIVISION	VENER V. MADERAJE ACTING DIVISION CHIEF IV, GENERAL SERVICES DIVISION	NELSON L. CASALAN ACTING DEPARTMENT MANAGER III, ADMINISTRATIVE DEPARTMENT	ANATALIA SD. BARAWIDAN ACTING SENIOR VICE PRESIDENT, SERVICES GROUP	DATE TITLE	BLDG A FIFTH FLOOR BLDG B FOURTH FLOOR FIRE DETECTION AND ALARM SYSTEM LAYOUT

Floor 5B

Floor 6A



1 BLDG. A SIXTH FLOOR/ BLDG. B FIFTH FLOOR
 FIRE DETECTION AND ALARM SYSTEM LAYOUT
 EC-09 SCALE: 1:100MTS

		OWNER	ARCHITECT	ENGINEER	DESIGNED BY:	PROJECT TITLE	REVIEWED AND CERTIFIED CORRECT BY:	RECOMMENDING APPROVAL:	APPROVED BY:	REVISIONS	SHEET CONTENTS:	SHEET No.		
		REPUBLIC ACT 9053	P R C No.	MANUEL V. PANIS PROFESSIONAL ELECTRICAL ENGINEER	DATE:	ENGINEERING STUDY OF BEST NEW ALTERNATIVE SOLUTIONS/SCHEMES ON THE EXISTING FIRE PROTECTION SYSTEM OF DAP BUILDING IN PASIG AND PREPARATION OF THE TECHNICAL ENGINEERING STUDY REPORTS (INITIAL & FINAL), INCEPTION REPORT, FIRE SAFETY COMPLIANCE REPORT AND DETAILED ENGINEERING PLANS & SUPPLEMENTAL/TECHNICAL DOCUMENTS INCLUDING BID TENDER DOCUMENTS ON MANAGEMENT APPROVED OR CHOSEN SCHEME/OPTIONS.	RALPH MICHAEL C. LEAL ENGINEER II GENERAL SERVICES DIVISION	VENER V. MADERAJE ACTING DIVISION CHIEF IV, GENERAL SERVICES DIVISION	NELSON L. CASALAN ACTING DEPARTMENT MANAGER III, ADMINISTRATIVE DEPARTMENT	ANATALIA SD. BARAWIDAN ACTING SENIOR VICE PRESIDENT, SERVICES GROUP	DATE	TITLE	BLDG A SIXTH FLOOR/ BLDG B FIFTH FLOOR FIRE DETECTION AND ALARM SYSTEM LAYOUT	EC-09
<small>Section 19 (d) Drawings and specifications duly signed, stamped or sealed as instruments of service are the property and documents of the Landscape Architect, whether the project for which they were made is executed or not. No person without the written consent of the Landscape Architect or author of said documents shall duplicate or make copies of said documents for use in the repetition of and for other projects or buildings, whether executed partly or in whole.</small>	TIN No.	PTR No. 10060708	TIN No. 132-466-232	DATE:	DATE:	DATE:	DATE:	DATE:	DATE:	DATE	TITLE	BLDG A SIXTH FLOOR/ BLDG B FIFTH FLOOR FIRE DETECTION AND ALARM SYSTEM LAYOUT	9	10
	PLACE:	DATE: 01-05-2026	PLACE: ANTIPOLO	DATE:	DATE:	DATE:	DATE:	DATE:	DATE:	DATE	TITLE	BLDG A SIXTH FLOOR/ BLDG B FIFTH FLOOR FIRE DETECTION AND ALARM SYSTEM LAYOUT		

